

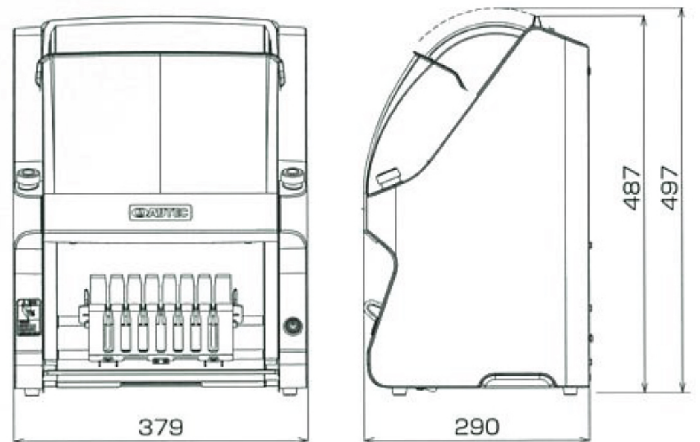
ASM260CE

NORIMAKI CUTTER



Anyone can cut rolls easily and quickly for more beautiful ones that sell better!

- Protecting cutter blades with [Smart Brake Structure] With this structure, it would prevent from installing wrong cut base, so that the risk of blade damage can be avoid.
- Double switch system that starts when the left and right start switches are pressed at the same time. [Single Emergency Stop System] that stops the operation immediately by pressing either of the start switches during operation.



SPECIFICATION

Power Supply	AC100 - 240V, 50 / 60 Hz
Power Consumption	35W
Production Capacity	Up to 600 pcs per hour
Dimensions (mm)	W379 x D290 (max 623) x H497
Weight	Approx. 17 kg

