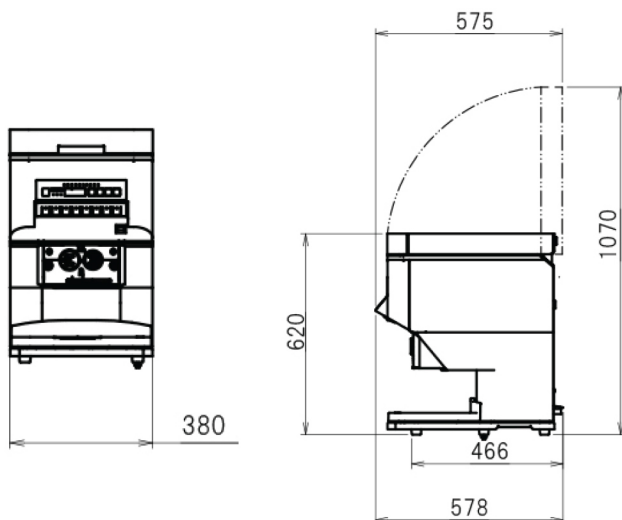


## RICE DISPENSER MM



### STANDARD FEATURES:

- Indicates the quantity of rice remaining in the hopper. Eliminates any need to open the lid, helping to retain heat and moisture.
- Excels at retaining heat and moisture. Enables rice to be served perfectly warm (at above 60°C) over long periods.
- Instant display of the weight of rice being served.
- Maximum of 8 pre-set options for serving weights. Easy to achieve perfect results every time.
- Has unique roller design to ensure rice is soft, fluffy, and undamaged by serving.
- Makes machine cleaning and care so easy. The sensor checks the condition of the rice and indicates status on the front panel, while making automatic adjustments for optimal serving speed.
- Just 3 seconds to serve perfectly warm rice  
\*When set at 180g/serving  
(serving speed may change according to rice conditions)



### SPECIFICATION

Production Capacity	200g cooked rice/approx. 4.5 sec.
Power Consumption	500W
Hopper Capacity	Max.Approx.10kg
Serving specifications	50 - 1,000g
Installation Dimensions	W380 x D578 x H620mm
Weight	53kg

