

SP-100A 10 Quart Mixer



Standard Feature

- Powerful 1/3 HP custom built motor
- Three fixed speeds
- Gear driven, high torque transmission
- Heat-treated hardened steel alloy gears and shafts
- Permanently lubricated transmission
- Thermal overload protection
- Rigid cast iron body
- Stainless steel bowl guard with built in ingredient chute
- NSF approved enamel gray paint (optional)
- Front mounted controls
- 15 minute timer
- Industry standard #12 attachment hub
- Safety interlocked bowl guard and bowl lift
- Non-slip rubber feet
- 6 foot cord and ground plug

Standard Accessories

- 10 quart stainless steel bowl
- Flat beater (aluminum)
- Stainless steel wire whip
- Spiral dough hook (aluminum)

SPECIFICATION

Motor :

1/3 HP (250W) grease packed ball bearing, air-cooled, 230V/50Hz/1Ph

Controls :

Spar Mixer controls are front-mounted to give easy access in cramped kitchen environments. The following controls are standard on all Spar Mixers: separate start and emergency stop buttons so operators can shut down the mixer immediately in an emergency situation, and thermal overload protection

Cord and Plug :

6 ft. flexible three wire cord and ground prong.

Transmission :

Heat-treated, hardened alloy, precision milled gears operate with planetary action. Gears are packed in a long-lasting, high pressure grease. Planetary gears are driven by direct linkage to the motor drive shaft. This design yields high-torque mixing power.

Speed :

Speed	Agitator rpm	Hub rpm's
Low Speed	106	59
Intermediate Speed	196	110
High Speed	358	201

Bowls and Agitators :

Standard equipment includes a 1 OQt. (9.5Litres) high quality stainless steel bowl, dough hook, flat beater, and whip. A sturdy hand lever on the body column raises and lowers the bowl as well as locking in place at the top and bottom positions.

Attachments :

- Vegetable Slicer for #12 hub
- Meat grinder for #12 hub
- Flat beater (stainless steel)
- Spiral dough hook (stainless steel)

Finish :

Top (transmission cover) : metallic bronze epoxy enamel
Bottom: metallic gray epoxy enamel

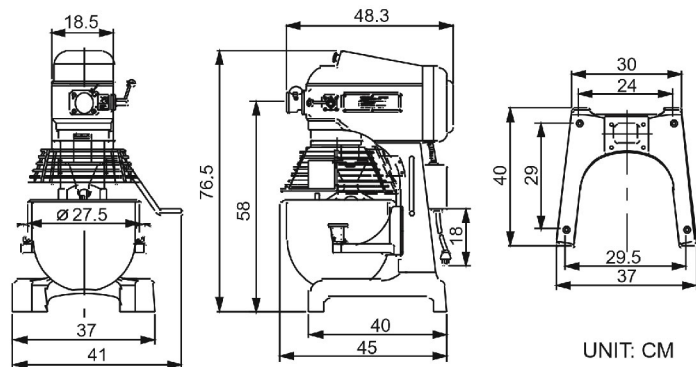
Shipping Information :

N.W. 65kgs
G.W. 80kgs

Carton Size :

Depth x Width x Height
46cm x 45cm x 76cm

Cartons are affixed to an undersized skid (pallet), the weight and dimensions of this skid are not included above and may vary from shipment to shipment.



UNIT: CM

