

# ASM730CE

## SHARI MIXER (Rice and Vinegar Mixer)



6.6kg



The industry's most compact table-top shari mixer enables anyone to make high-quality shari without difficulty.

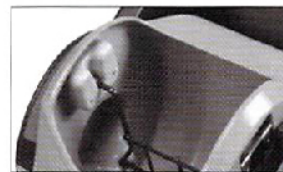
- A uniquely shaped shari mixing bar was newly developed. A non-stop quest for rice mixing with controlled stickiness and unevenness.
- Further improvement in cooling effect by an increase in blower air volume.
- The introduction of a new rice mixing system, by which the drum is rocked like a baby cradle. Combined with the rice mixing bar, this new system helps make high-quality shari.
- A non-Teflon drum made of a special resin was introduced for the first time in the table-top rice mixer industry.
- The industry's slimmest rice mixer with a width of 500 mm or less was realized by removing space.



Newly developed shari drum, detachable with one-touch operation (patent-pending) [TBD]



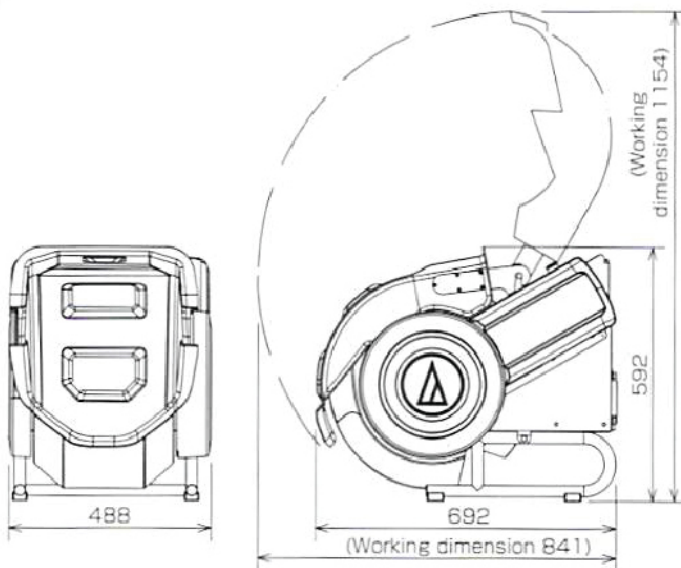
Newly developed shari-mixing bar



Newly developed shari-mixing bar



New shari-mixing system by which the drum is rocked like a baby cradle



### SPECIFICATION

Power Supply	AC230 V (50 / 60 Hz)
Power Consumption	200 W/50 Hz, 280 W/60 Hz
Capacity	Approx. 3.3 kg - 6.6 kg
Dimensions (mm)	W=488 x D=692 x H=592
Weight	Approx. 35 kg

