

# ASM780CE

RICE MIXER



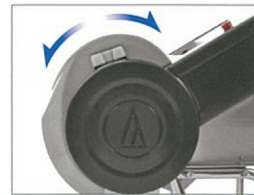
12kg

Newly developed special resin improves safety and realizes ideal and easy operation.

- A newly-developed temperature sensor on the ASM780 helps to offer uniform finished rice without being affected by the condition of the cooked rice.
- The drum is light and releases quickly because newly developed resin is used and it is also easy to clean as the drum itself can be moved to the sink to be cleaned.
- ASM780 adopts a new method of mixing rice using a cradle-like motion to mix evenly. It is also suitable for making Japanese-style mixed rice by just adjusting mixing time.
- The standard course operating time is approximately 05'18".



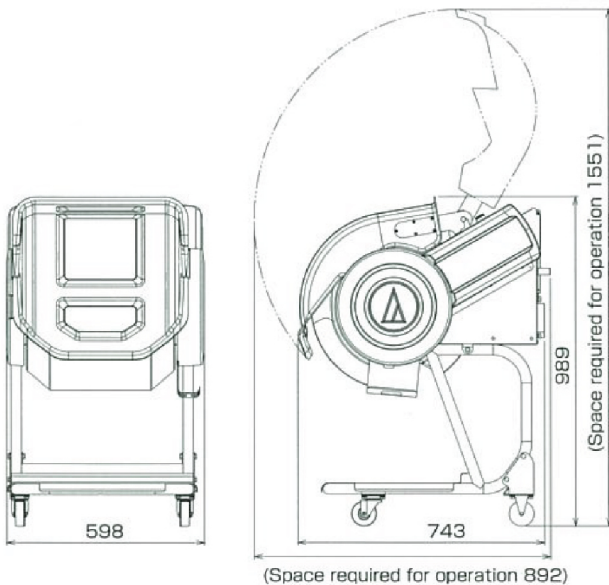
You can easily detach the drum bowl with one touch of a button.



A new cradle-like mixing way is adopted.



A white cover is attached



Control Panel



Up Down Button

## SPECIFICATION

Power Supply	AC230 V (50 / 60 Hz)
Power Consumption	200 W
Capacity	Approx. 6.6 -13.2 kg
Dimensions (mm)	W 598 x D 743 x H 989 mm
Weight	Approx. 47 kg

